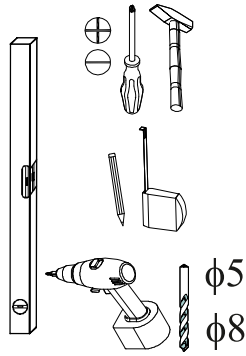
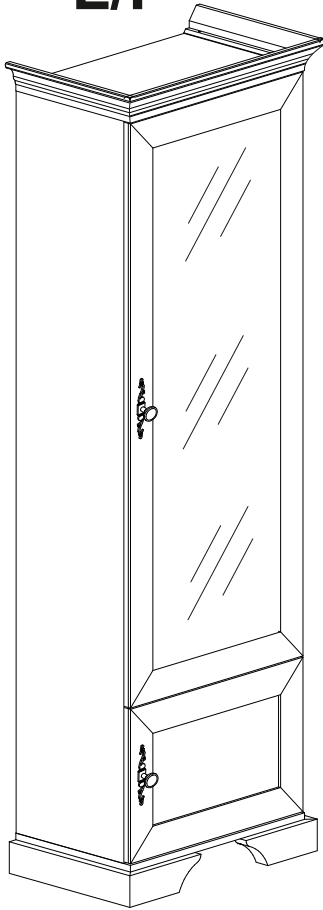
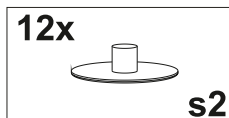
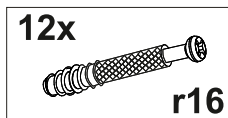
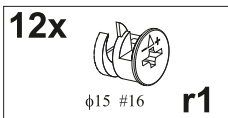
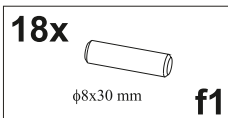
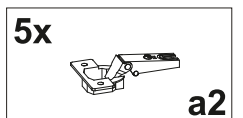
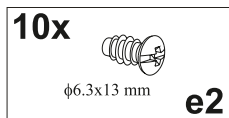
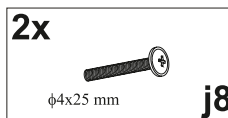
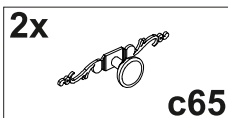
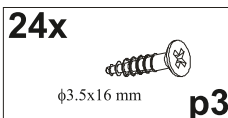
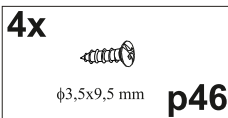
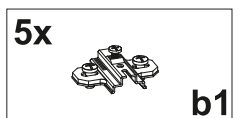
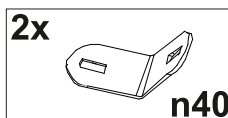
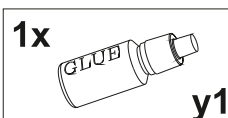
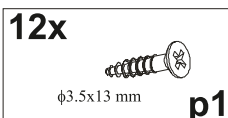
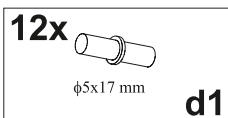
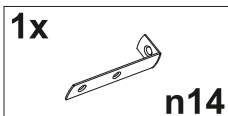
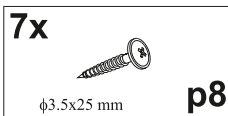
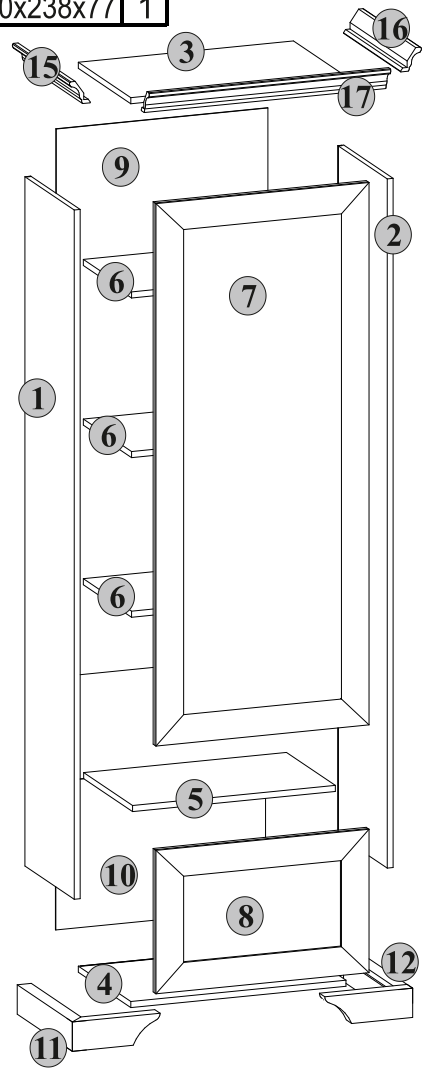
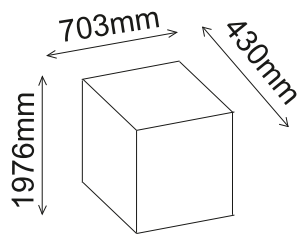


L/P

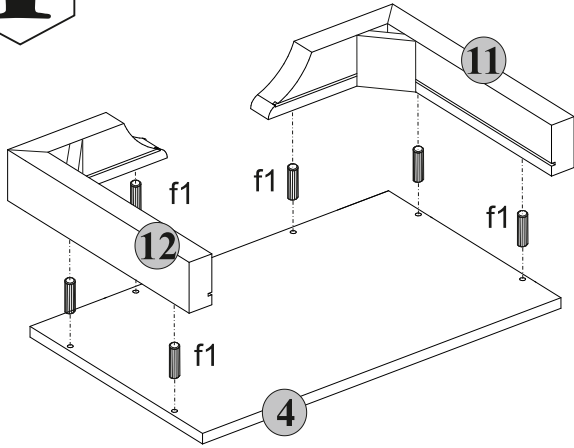


number	Measurements	Pcs.
1	1807x348	1
2	1807x348	1
3	584x370	1
4	584x370	1
5	550x345	1
6	549x340	3
7	1422x578	1
8	376x578	1
9	1437x569	1
10	389x569	1
11	390x238x77	1

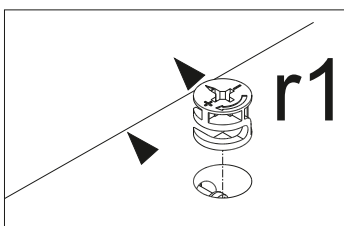
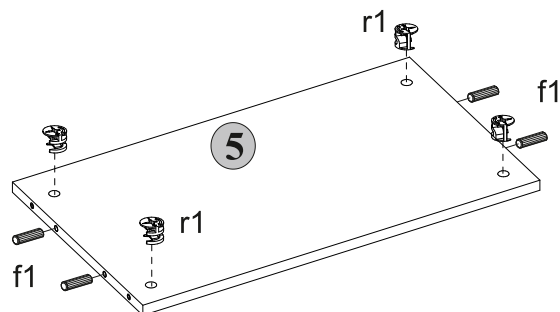
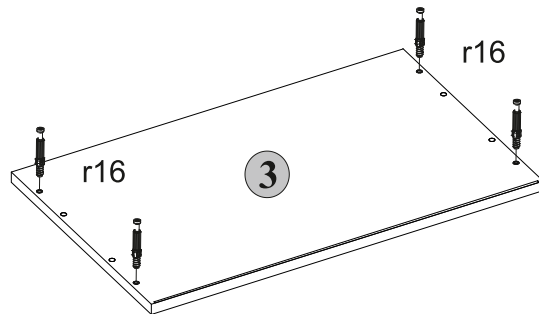
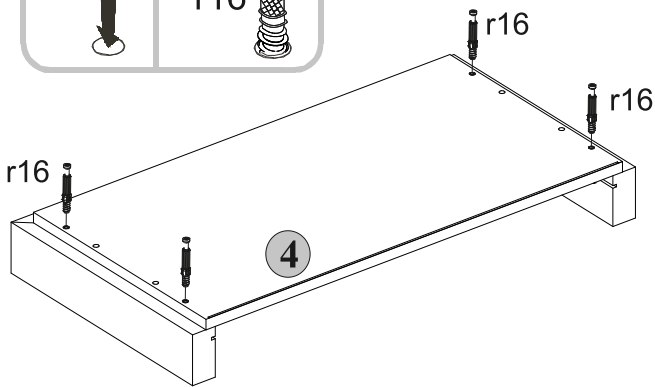
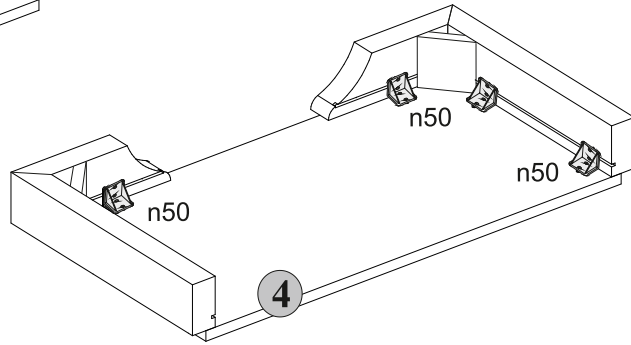
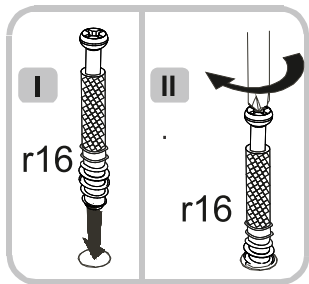
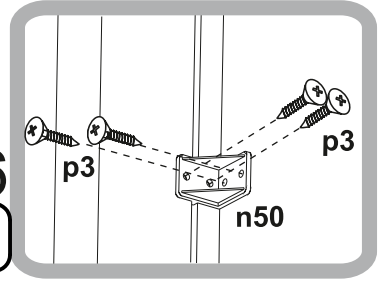
12	390x238x77	1
15	403x	1
16	403x	1
17	641x	1



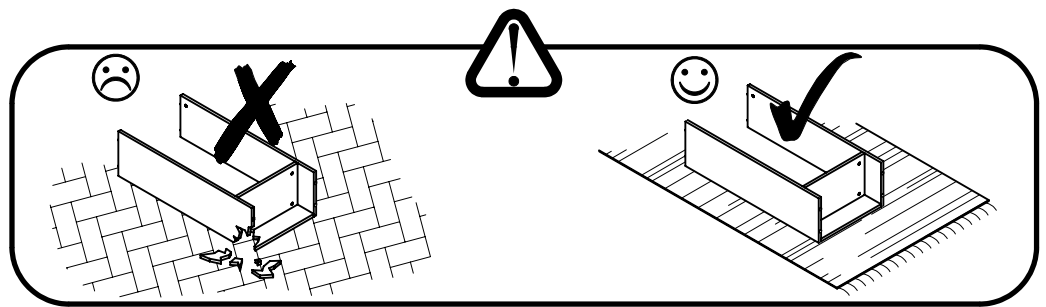
I



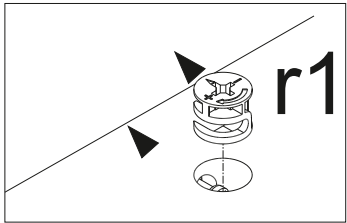
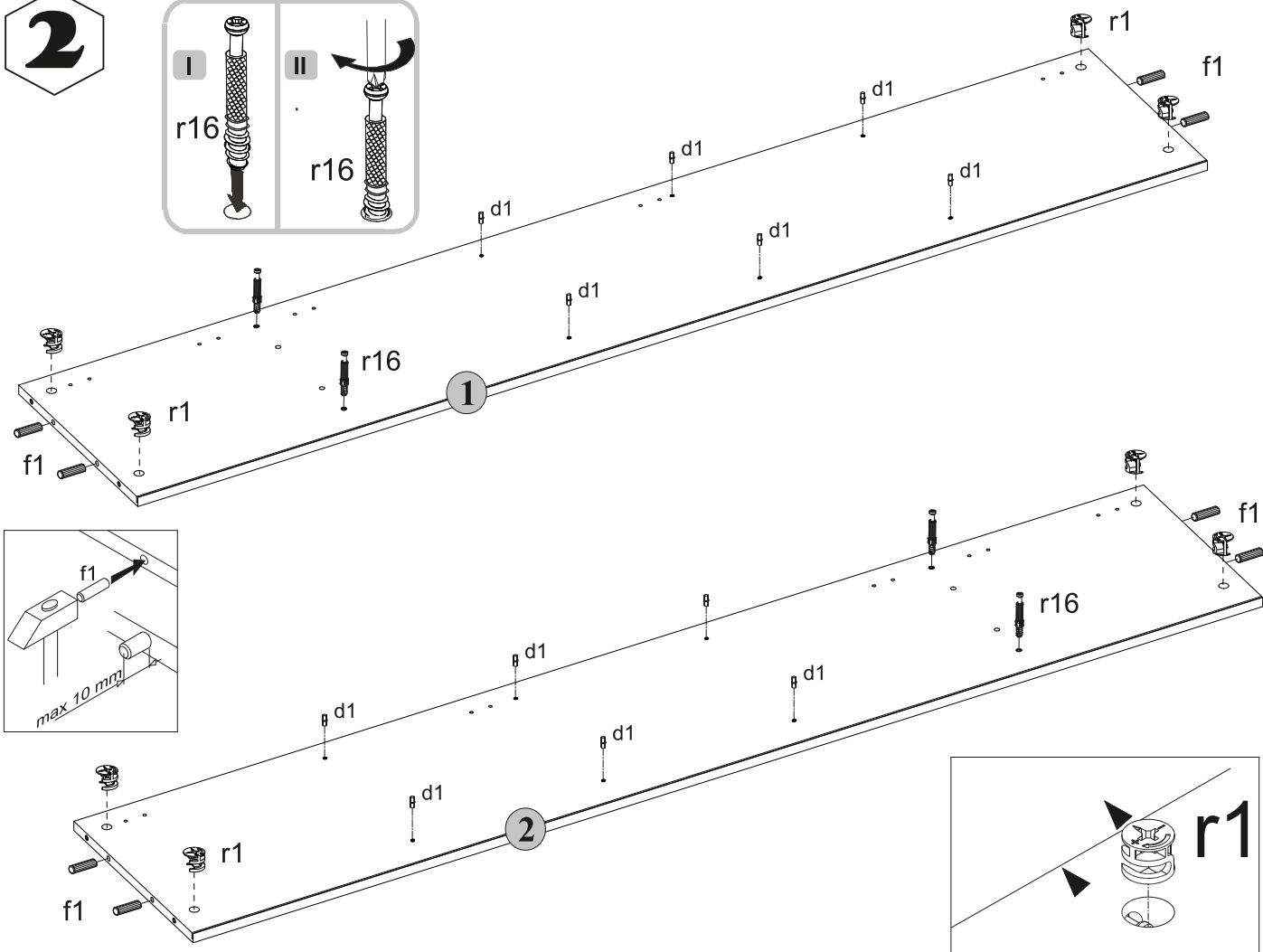
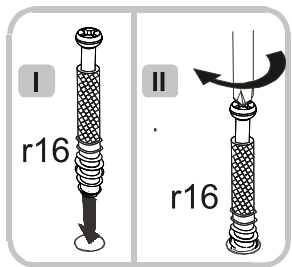
x6



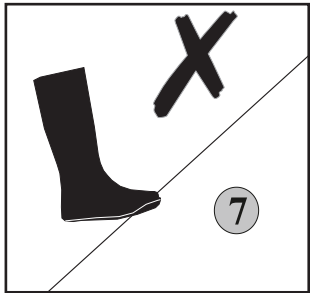
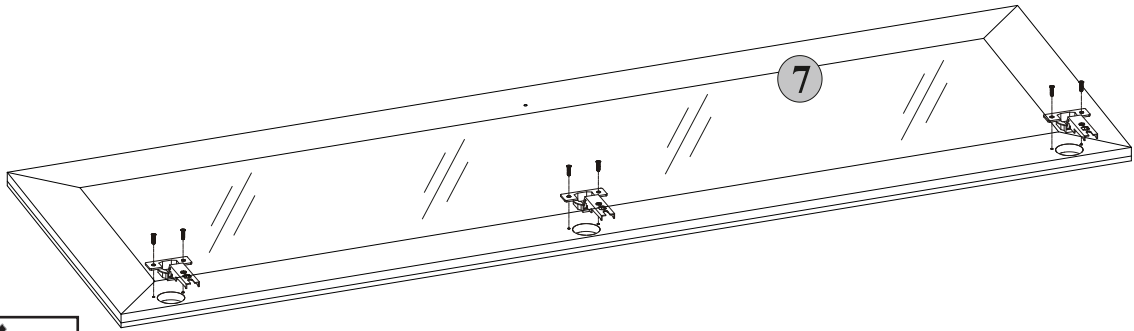
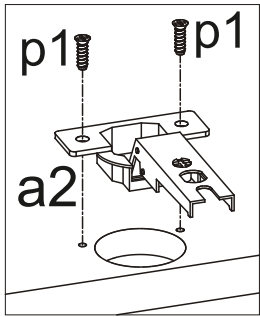
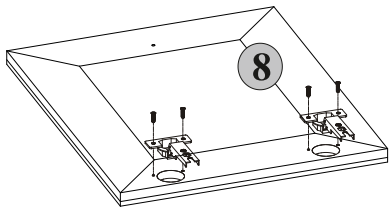
2



2

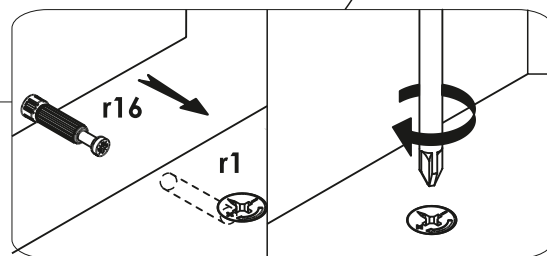
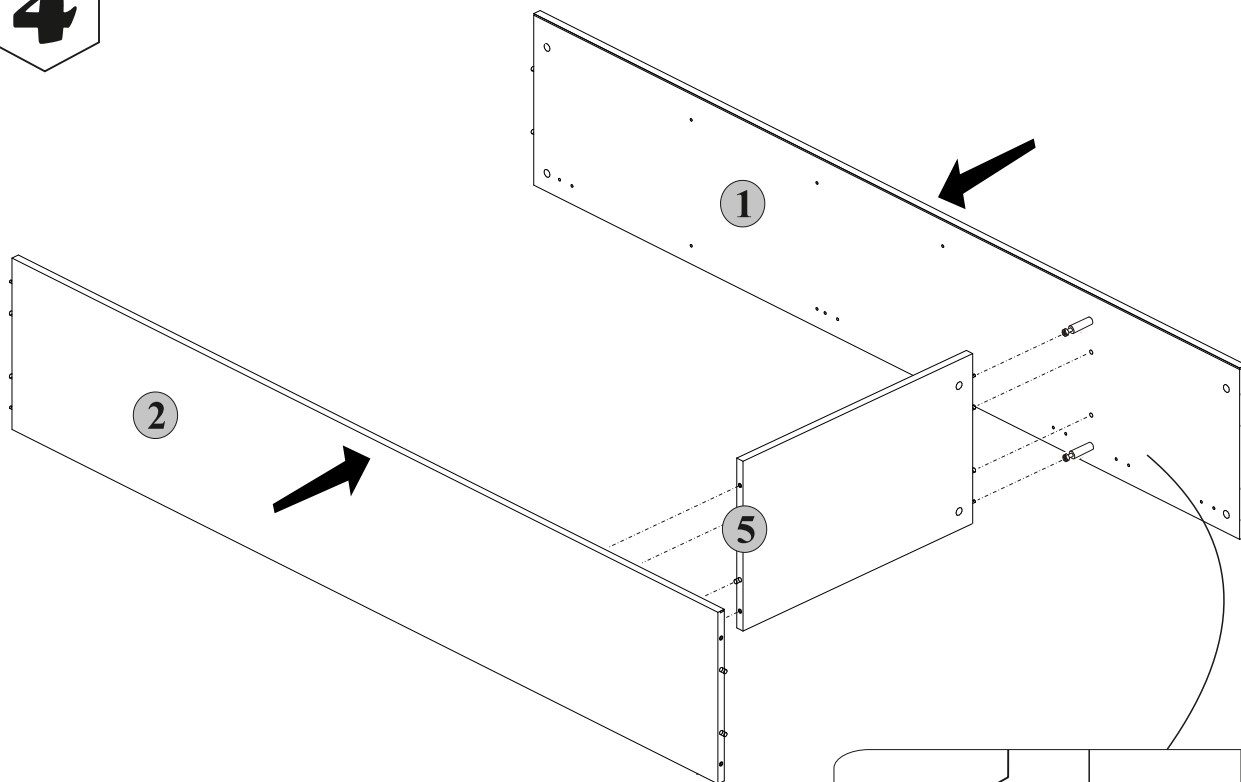


3

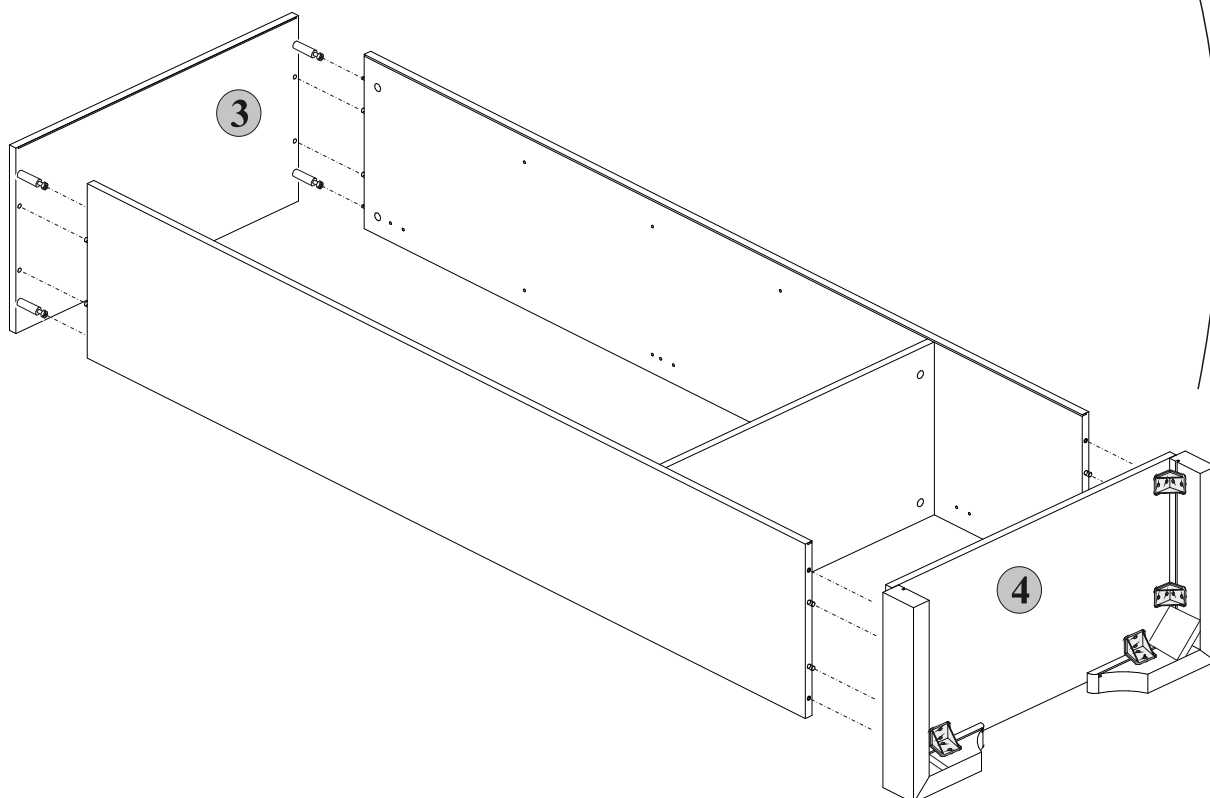


3

4

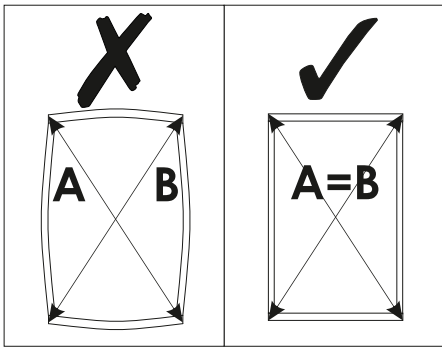
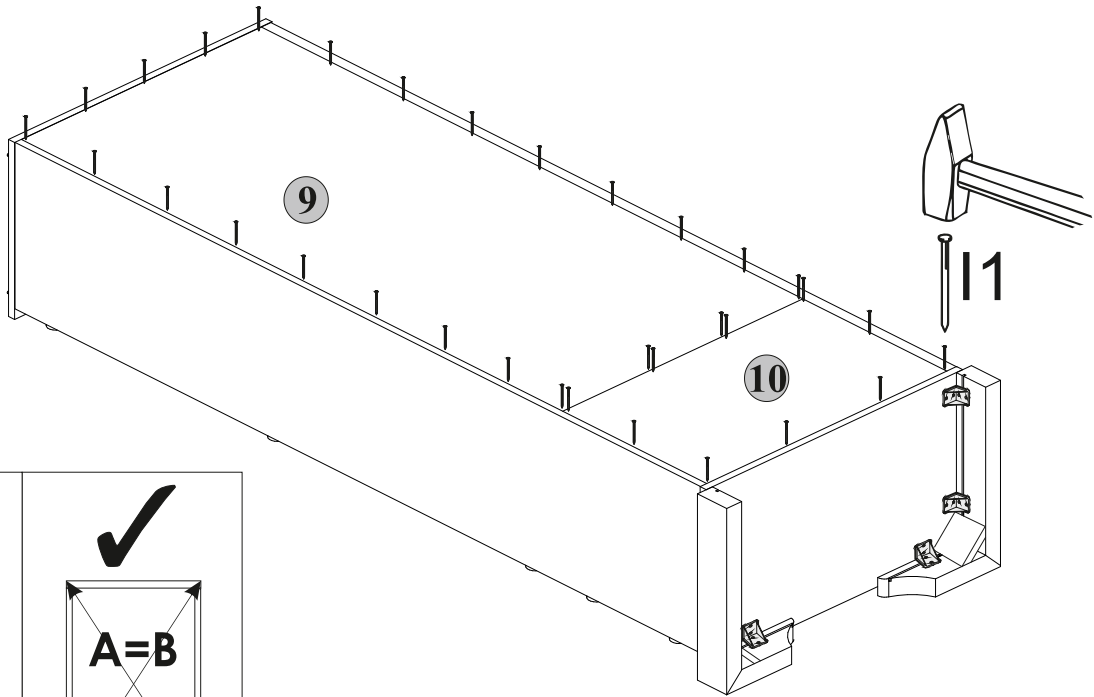


5



4

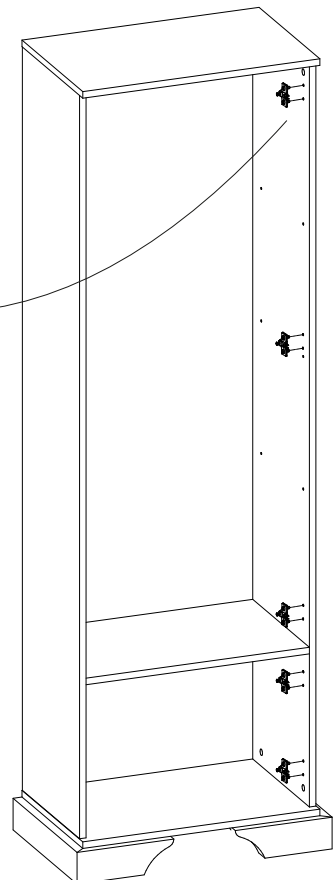
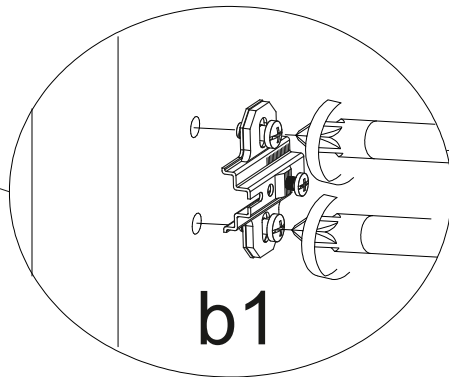
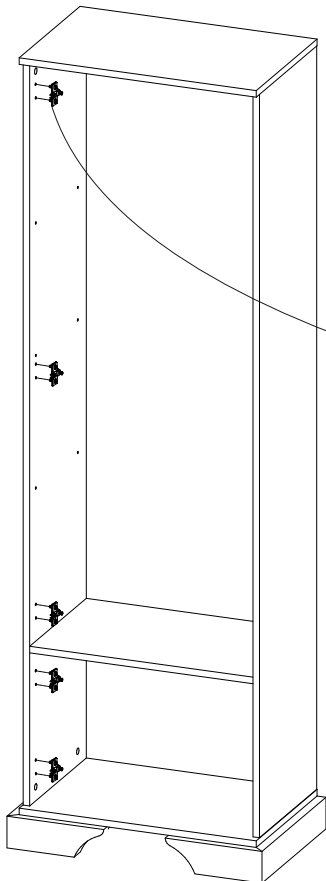
6



7

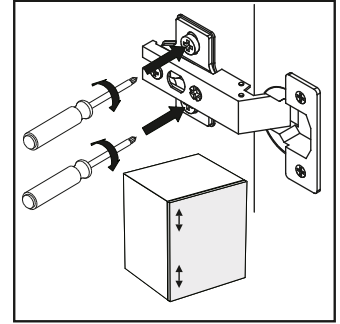
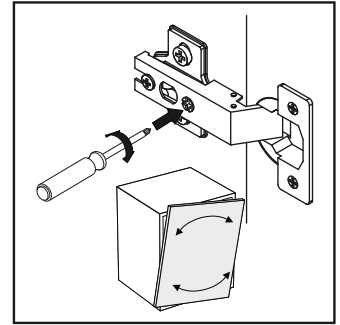
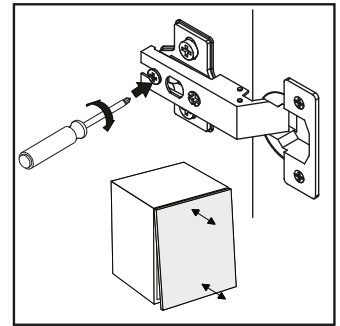
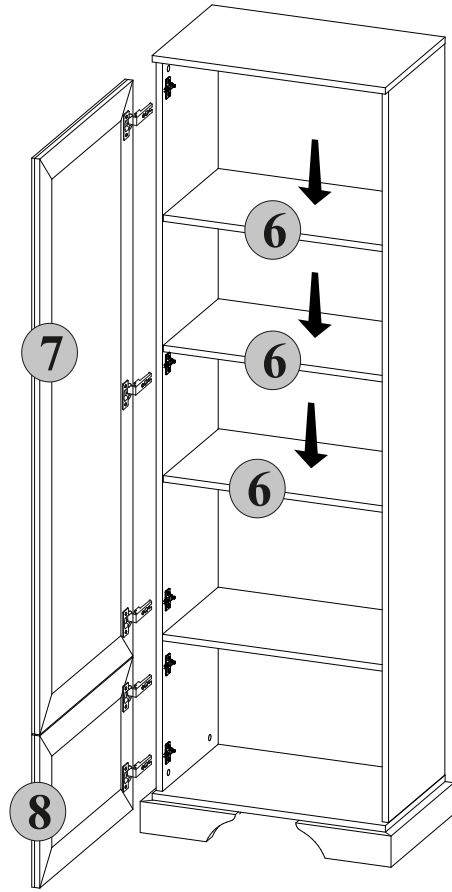
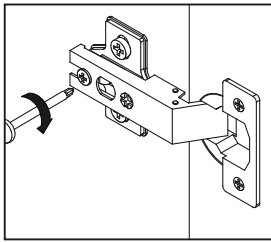
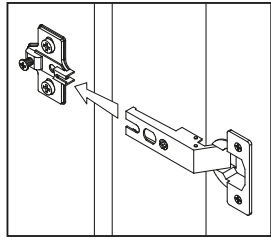
L

P

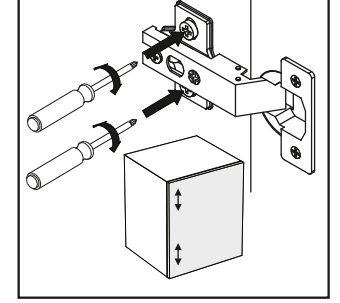
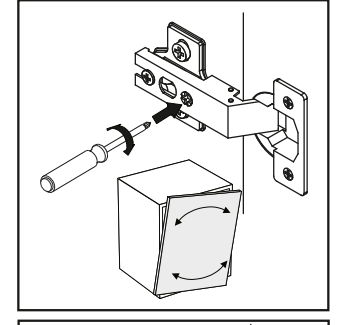
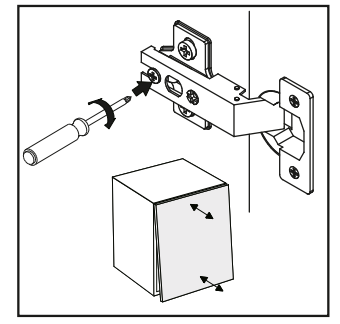
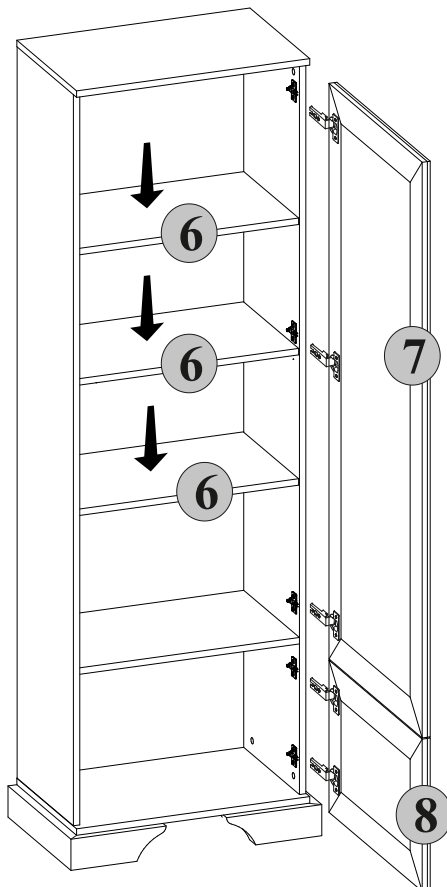
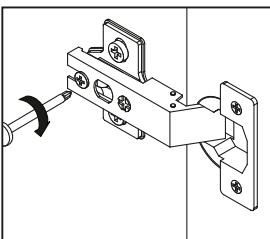
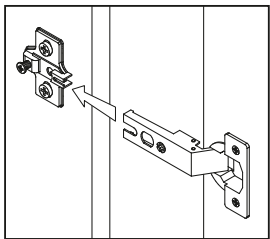


5

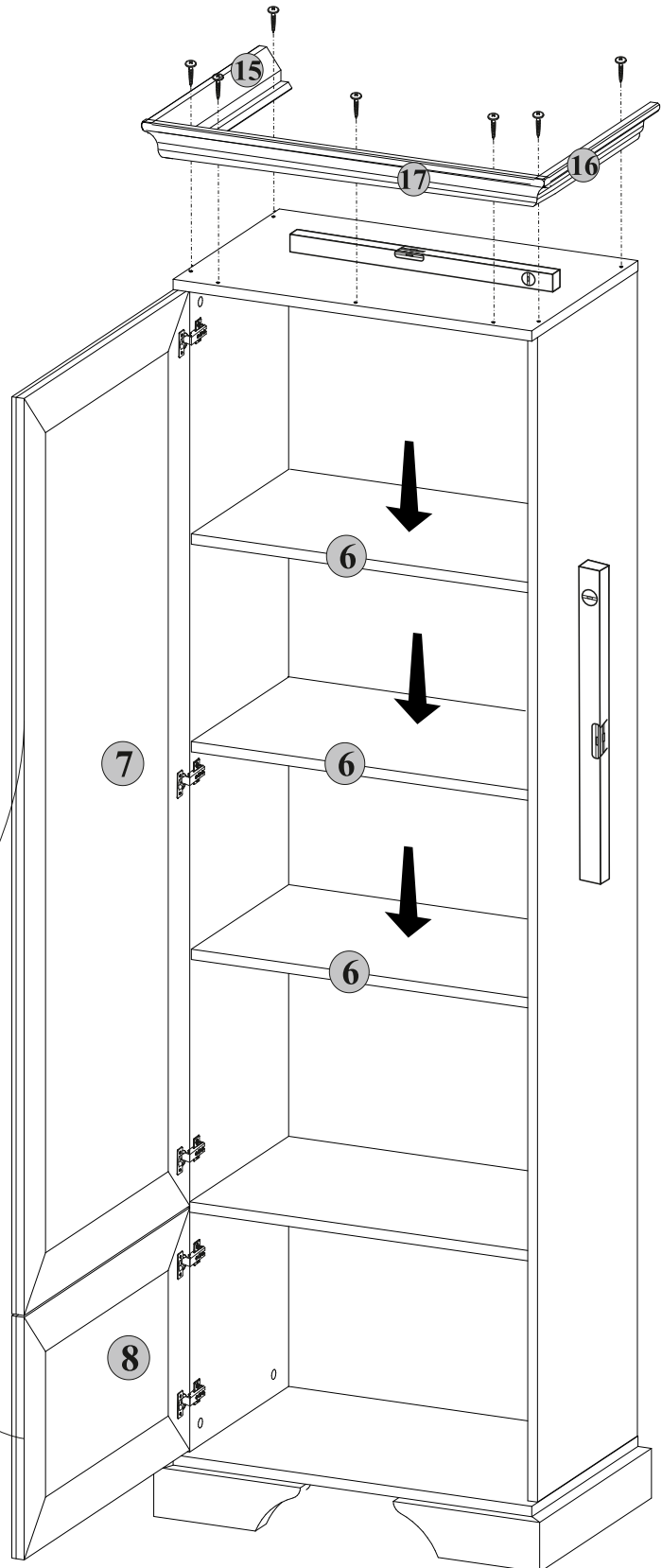
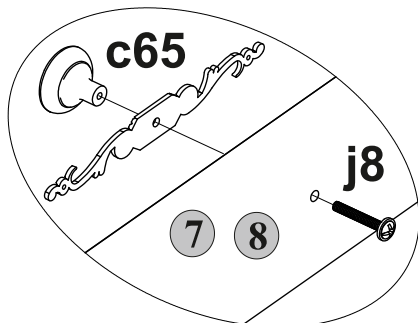
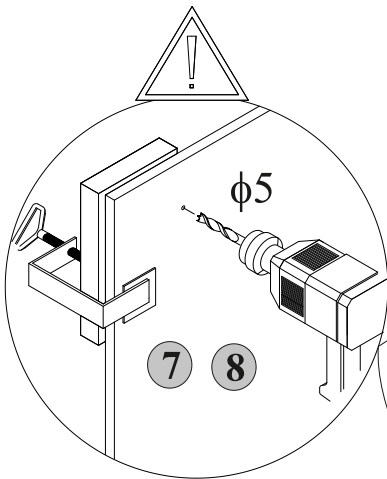
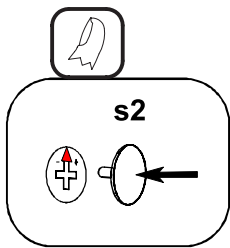
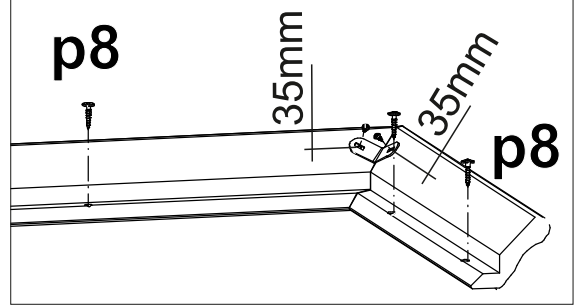
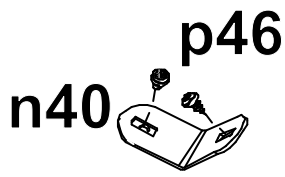
8 L



8 P



9



7

10

